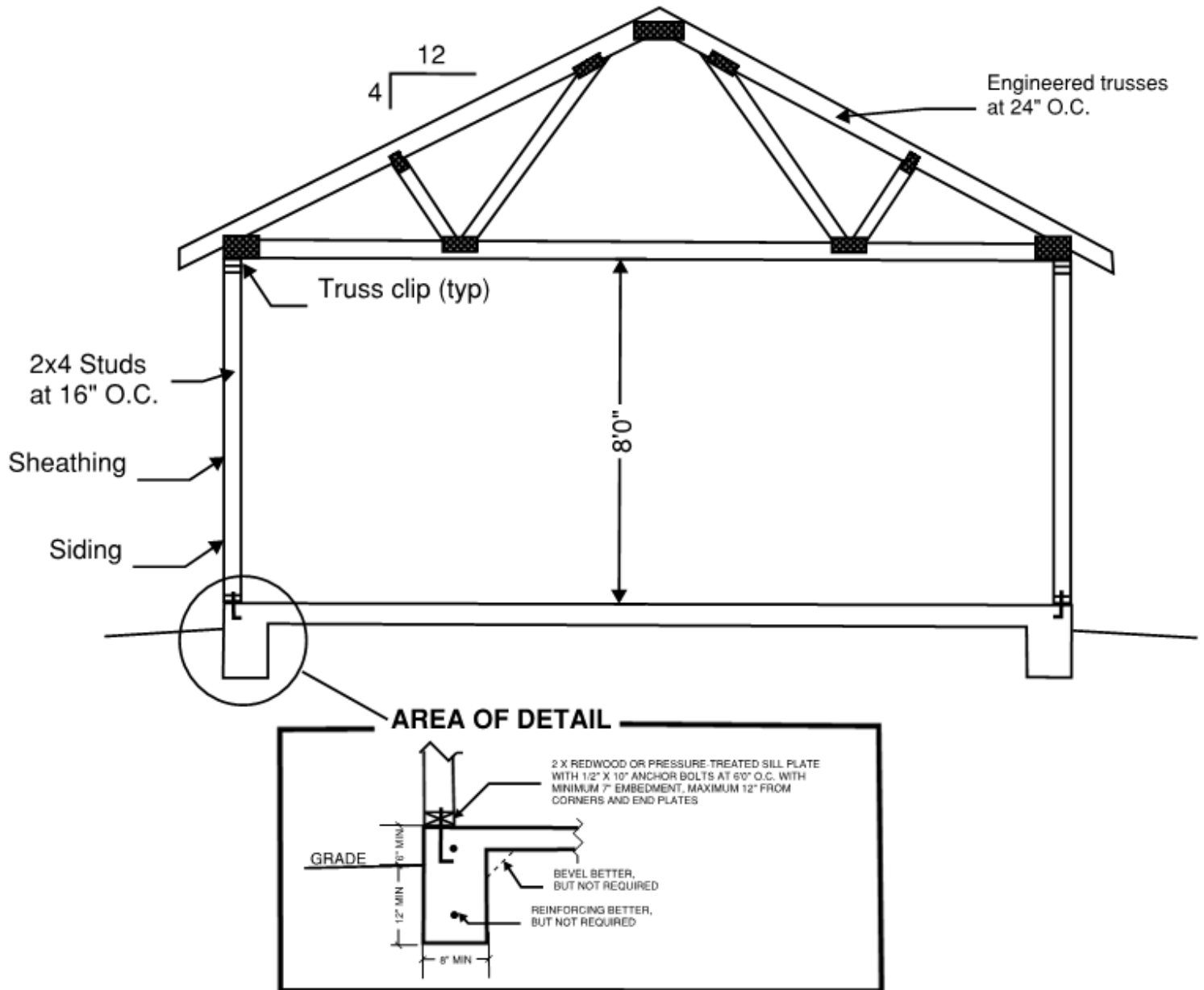


## MONOLITHIC FOUNDATION REQUIREMENTS



### **REQUIREMENTS FOR USE**

- Structure must be less than 750 square feet
- Structure must be enclosed
- Structure must be single story (less than 10' wall height), without a loft
- Foundation must not retain soil
- Foundation must be poured concrete, of a single pour, without joints
- Foundation cannot have columns or pads in the slab area